

**SONY**

Hi-Fi Products  
Service Bulletin

Sony Service Company - Technical Services  
A Division of Sony Corporation of America  
Sony Drive, Park Ridge, New Jersey 07656

**Model:** CDP-68/307ESD/750/950

**No.** 32

**Subject:** No Chucking Operation

**Date:** September 19, 1988

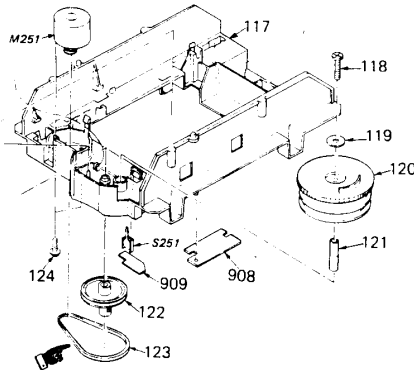
**Symptom:**  
(\*\*)

During the loading cycle, the disc will not be completely chucked. The optical section may swing upward only partially or perhaps not at all.

**Cause:** This is caused by the drive belt slipping.

**Solution:** Replace the former drive belt with a newer version drive belt. The part number is listed below:

Ref. No.	Description	Part Number	
		Former	New
123	Belt	4-917-522-01	4-917-522-02



Compact Disc  
CSA-13